

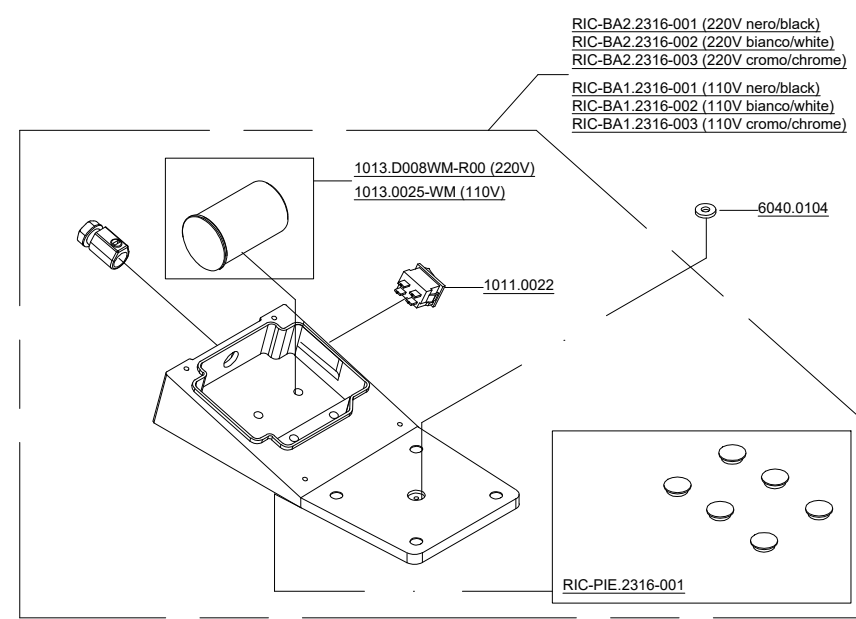
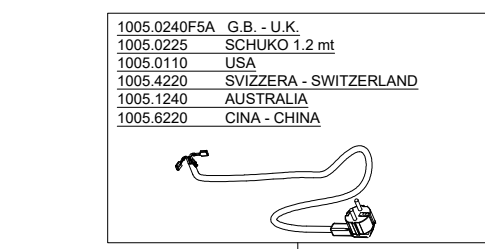
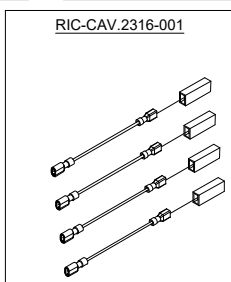
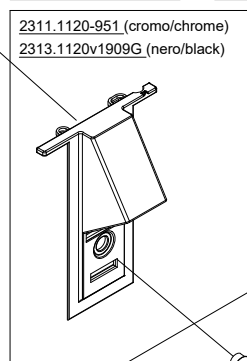
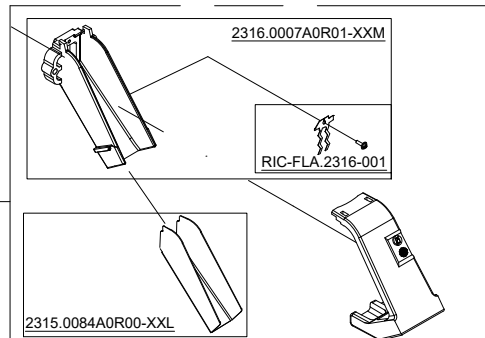
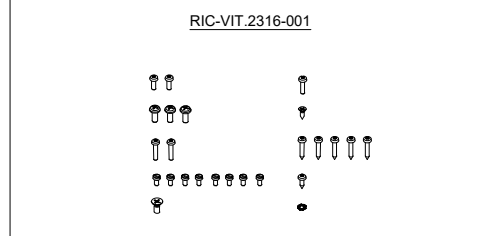
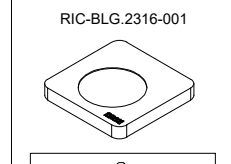
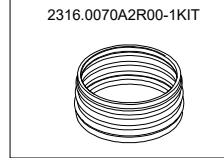
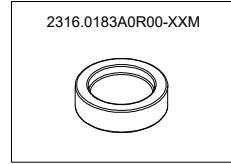
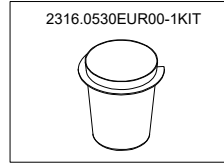
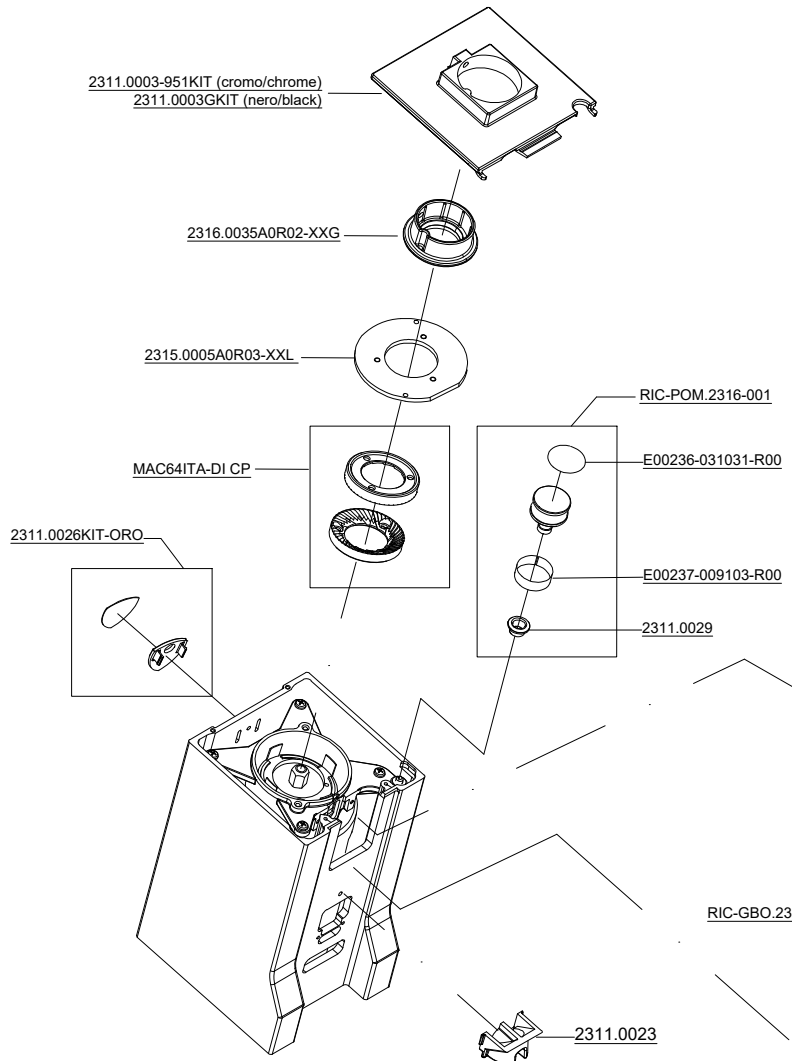


# MIGNON SINGLE DOSE

27/04/2023

ESGR-2316-01v2127

110V/60Hz - 220V/60Hz - 220-230V/50Hz - 230-240V/50Hz





UNIQUE GRINDING  
SOLUTIONS

## Listino ricambi / Spare Parts Price List

### MIGNON SINGLE DOSE

ARTICOLO ITEM N°	DESCRIZIONE DESCRIPTION	PREZZO PRICE
1005.0110	CABLAGGIO UL/CSA V110 USA/CANADA PLUG V110	€ 8,10
1005.0225	CABLAGGIO MONOFASE mt.1,20 spina schuko SCHUKO PLUG 1.2 mt V220	€ 8,10
1005.1240	CABLAGGIO VOLT. 240 per Australia AUSTRALIA PLUG V230-240	€ 14,81
1005.4220	CABLAGGIO MONOFASE per Svizzera SWITZERLAND PLUG V220-230	€ 8,10
1005.6220	CABLAGGIO MONOFASE per Cina CHINA PLUG V220-230	€ 14,81
1011.0022	INTERR. MONOFASE A BASCULA x MB/ME/MP/XL POWER SWITCH	€ 2,02
1013.0008	CONDENSATORE MF. 8 /450 MCF/MCI CAPACITOR 8 / 450I	€ 13,41
2311.0023	TASSELLO PORTAFILTRO MIGNON ME/MP FILTER HOLDER MIGNON	€ 4,05
2311.0029	GUARNIZIONE POMELLO MIGNON v. 1708 MIGNON KNOB SEAL	€ 1,40
6040.0078	TAPPO DECORATIVO A=11.9 B=17.5 FRONT PLUG	€ 0,64
6040.0104	MAGNETE 12X5X2 SINGLE DOSE MAGNET	€ 1,01
1005.0240F5A	CABLAGGIO VOLT. 240 per GB + fus. 5A U.K. PLUG V230-240	€ 14,81
1013.E025KT-R00	CONDENSATORE 25MF 250-400-425Vac 50/60Hz CAPACITOR 25µF	€ 16,07
2311.0003-951KIT	KIT COPERCHIO CROMO MIGNON ME TOP COVER KIT (CHROME)	€ 17,08
2311.0003GKIT	KIT COPERCHIO NERO MIGNON ME TOP COVER KIT (BLACK)	€ 6,33
2311.0026KIT-ORO	KIT SCUDETTO EUREKA G.ORO MIGNON SILENT EUREKA ORO LOGO KIT w/ SCREW	€ 10,20
2311.1120-951	FRONTALINO PL CROMO x MIGNON v.1708 FRONT COVER (CHROME)	€ 26,82



UNIQUE GRINDING  
SOLUTIONS

## Listino ricambi / Spare Parts Price List

### MIGNON SINGLE DOSE

2313.1120v1909G	FRONTALINO PL GOFFRATA x ME/MP v.1909 FRONT COVER (BLACK)	€ 13,41
2315.0005A0R03-XXL	PORTAMACINE SUP dia.65mm ME XL / SD R03 UPPER BURR HOLDER (65mm)	€ 12,32
2315.0084A0R00-XXL	SCIVOLO MIGNON XL/TURBO/STARK METALLIC SLIDE	€ 8,10
2316.0007A0R01-XXM	GRUPPO BOCCHETTONE MIGNON SD MIGNON SINGLE DOSE NOZZLE	€ 16,45
2316.0035A0R02-XXG	GUARNIZIONE CAMPANA X MIGNON SINGLE R02 BEAN HOPPER SEAL	€ 2,66
2316.0070A2R00-1KIT	KIT 1 SOFFIETTO BLOW UP SD 2 ONDE BLOW UP FOR SINGLE DOSE HOPPER	€ 45,00
2316.0183A0R00-XXM	KIT DISCO ACCIAIO AISI 304 LAV. SD SINGLE DOSE CUP-DISC KIT	€ 32,89
2316.0530EUR00-1KIT	KIT 1 BICCHIERINI EUREKA INOX LUX SINGLE DOSE DOSING CUP	€ 25,00
E00236-031031-R00	ET. POMELLO MIGNON SD GIGLIO ORO MIGNON ORO "GIGLIO" KNOB LABEL	€ 6,58
E00237-009103-R00	ET. REG. POMELLO MIGNON SINGLE DOSE MIGNON KNOB ADJUSTMENT LABEL	€ 2,66
MAC64ITA-DI CP	COPPIA MACINE PIANE mm.65 DIAMOND HS FLAT BURRS mm65 DIAMOND INSIDE	€ 90,61
RIC-BA1.2316-001	RIC. BASE110_SD_C.001 BASE GROUP 110v (BLACK)	€ 96,53
RIC-BA1.2316-002	RIC. BASE110_SD_C.101 BASE GROUP 110v (WHITE)	€ 81,74
RIC-BA1.2316-003	RIC. BASE110_SD_C.951 BASE GROUP 110v (CHROME)	€ 116,94
RIC-BA2.2316-001	RIC. BASE220_SD_C.001 BASE GROUP 220v (BLACK)	€ 93,86
RIC-BA2.2316-002	RIC. BASE220_SD_C.101 BASE GROUP 220v (WHITE)	€ 79,08
RIC-BA2.2316-003	RIC. BASE220_SD_C.951 BASE GROUP 220v (CHROME)	€ 114,28
RIC-BLG.2316-001	RIC. SUPP BICCH_SD_ROVERE WOODEN BASE FOR SD DOSING CUP	€ 32,90
RIC-CAM.2316-001	RIC. CAMPANA_SD_BASSA TRASP SINGLE DOSE HOPPER	€ 48,07



UNIQUE GRINDING  
SOLUTIONS

## Listino ricambi / Spare Parts Price List

### MIGNON SINGLE DOSE

RIC-CAV.2316-001	RIC. CAVI_SD_STD SINGLE DOSE CABLE KIT	€ 5,70
RIC-CCA.2316-001	RIC. COP CAMP_SD_ROVERE WOODEN LID FOR SD HOPPER	€ 31,74
RIC-FLA.2316-001	RIC. FLAP_SD_STD SINGLE DOSE FLAP KIT	€ 3,52
RIC-GBO.2316-001	RIC. GR.BOCCHETTONE_SD_STD COFFEE EXIT SLIDE GROUP MIGNON	€ 40,61
RIC-PBL.2316-001	RIC. PIEDINI SUPP_SD_STD BUMPERS FOR WOODEN BASE	€ 2,02
RIC-PIE.2316-001	RIC. PIEDINI_SD_STD BASE FEET	€ 6,33
RIC-POM.2316-001	RIC. POMELLO_SD_STD SINGLE DOSE KNOB KIT	€ 24,17
RIC-VIT.2316-001	RIC. VITI_SD_STD SINGLE DOSE SCREWS KIT	€ 10,63

- Gli articoli evidenziati sono i ricambi delle parti soggette a maggiore usura, e quindi il loro approvvigionamento è particolarmente consigliato
- Tutti i prezzi si intendono IVA esclusa
- La merce viene venduta franco fabbrica a Sesto Fiorentino (FI) e viaggia a rischio del committente.

- The items highlighted are the spare parts of the pieces subject to greater wear, and therefore their supply is particularly recommended
- All prices are intended VAT excluded
- Goods are sold ex works from Sesto Fiorentino (FI), Italy and travel at the risk of the Customer